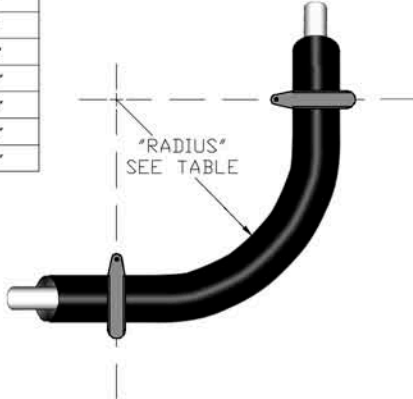
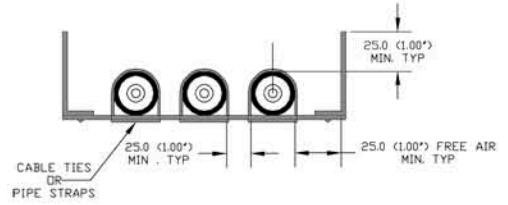


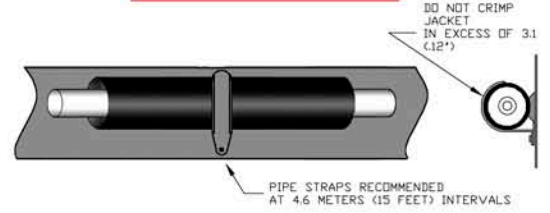
HOSE SIZE	RADIUS
4	6'
5	7'
6	8'
8	10'
10	12'
12	13'
16	15'
20	18'



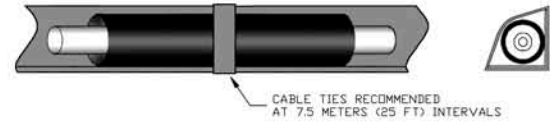
**HORIZONTAL MOUNTING**  
DO NOT USE "U" BOLTS OR OTHER COMPRESSION TYPE CLAMPS



**PIPE STRAP MOUNTING**



**ANGLE MOUNTING**



**GUY WIRE SUPPORT**



**VERTICAL MOUNTING**  
SEE NOTE # 2  
**KELLEM STANDARD SUPPORT GRIP MOUNTING**  
(SPLIT W/ROD CLOSING EYE)



ATTACH TO SUITABLE HANGER (2 PLACES)

KELLEM GRIP RECOMMENDED AT 15 METER (50 FEET) INTERVALS

OVERALL HOSE O.D.	PIPE STRAP WITH BACK	KELLEM STANDARD SUPPORT GRIP
1' - 1 1/4" (25.4 - 31.8 MM)	3/4"	022-03-041
1 1/4" - 1 1/2" (31.8 - 38.1 MM)	1"	022-03-042
1 1/2" - 1 3/4" (38.1 - 45 MM)	1 1/2"	022-03-043
1 3/4" - 2" (45 - 50.8 MM)	1 1/2"	022-03-044
2" - 2 1/2" (63.5 - 76.5)	2"	022-03-045
2 1/2" - 3" (63.5 - 76.5MM)	2 1/2"	022-03-046

**CAUTION:**

**THE ABOVE SUGGESTIONS MUST BE FOLLOWED IN INSTALLING HIGH TEMPERATURE TUBE BUNDLE OR LINE FAILURE WILL RESULT.**

3. SUGGESTED HARDWARE SUPPLIER: LOCAL ELECTRICAL SUPPLY HOUSE
2. WHEN MOUNTING SAMPLE LINE INTO VERTICAL POSITION, MAINTAIN WEIGHT OF LINE ON SUSPENSION APPARATUS. LINE IS NOT DESIGNED TO SUPPORT ITS OWN WIEGHT, WHEN HOT, FOR MORE THAN 15 METERS (50 FEET) WHEN MOUNTED VERTICALLY. DO NOT PULL OR STRETCH BUNDLE MORE THAN FREE HANGING WEIGHT OR KINK SAMPLE LINE DURING INSTALLATION
1. DO NOT ENERGIZE SAMPLE LINE WHILE IN A COIL.

UNLESS OTHERWISE SPECIFIED

**INSTALLATION OF KELLEM GRIPS**

WRAP KELLEM GRIP AROUND THE TUBE BUNDLE AND THREAD THE ROD THROUGH THE PREFORMED LOOPS WITH THE CORKSCREW MOTION USING THE CURVE END OF THE ROD TO ENGAGE THE LOOPS. THE ACTION REQUIRED IS A STEADY SIMULTANEOUS PUSH & TWIST MOTION. THE FINGERS OF THE LEFT HAND ARE USED TO BRING THE LOOPS TOGETHER JUST AHEAD OF THE HOOK ON THE END OF THE ROD. TO REMOVE, SIMPLY PULL THE ROD OUT BY THE HOOK END.

CUSTOMER NAME _____		 <b>TECHNICAL HEATERS, inc.</b> <b>THERMOLAB</b>
CUSTOMER PART NO. _____		
APPROVALS	DATE	INSTALLATION RECOMMENDATIONS FOR HEAT-LINE HOSES
DRAWN		
CHECKED		
ENGR		
DESIGN APPR		
THIS DRAWING AND INFORMATION IS THE PROPERTY OF TECHNICAL HEATERS / THERMOLAB INC. ALL DESIGN MANUFACTURING USE, REPRODUCTION AND SALES RIGHTS ARE RESERVED FOR AND BY TECHNICAL HEATERS / THERMOLAB INC. EXCEPT TO THE EXTENT RIGHTS ARE EXPRESSLY GRANTED IN WRITING TO OTHERS.		SIZE: D
CODE IDENT NO:	DRAWING NO:	REV.:
32446	70403	N/C
SCALE: NONE	RELEASE DATE:	SHEET OF